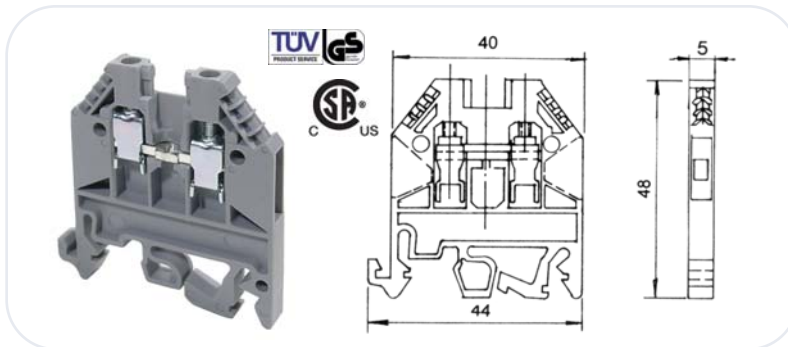
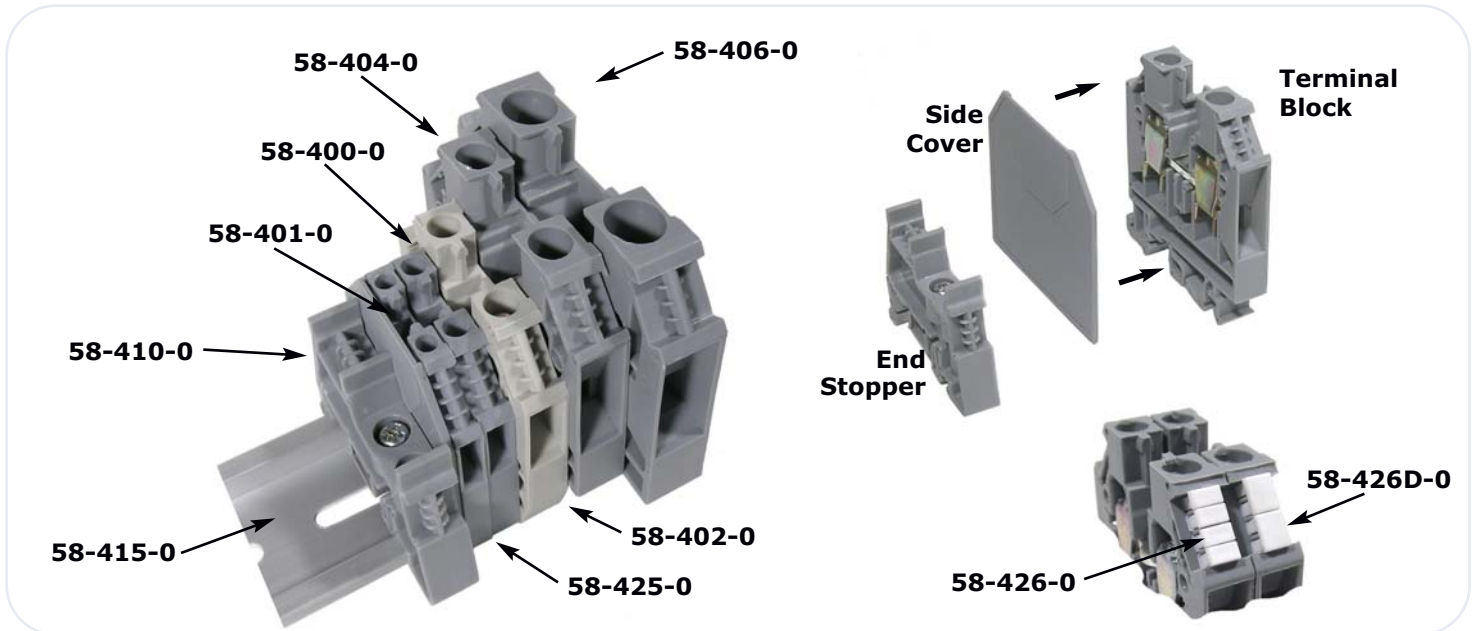


35mm DIN RAIL TERMINAL BLOCKS



TERMINAL BLOCK 20Amp 600VAC

Suitable for wire sizes 24 to 12 AWG
Pitch: 5mm Size: 2.5mm²

58-425-0

**SIDE COVER FOR 58-425-0
AND 58-400-0**

58-401-0

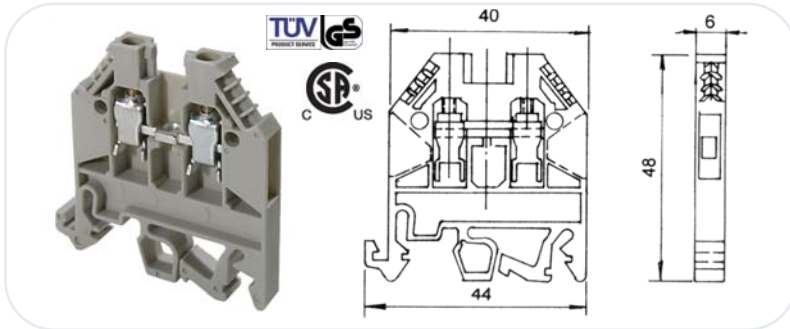


80 POSITION BRIDGE BAR FOR 58-425-0

On the picture only 12 are shown.

58-428-0

35mm DIN RAIL TERMINAL BLOCKS



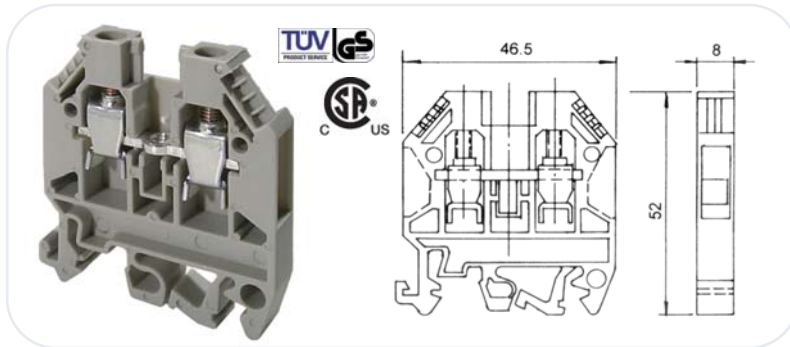
TERMINAL BLOCK 30Amp 600VAC

Suitable for wire sizes 22 to 10 AWG
Pitch: 6mm Size: 4mm²

58-400-0

SIDE COVER FOR 58-425-0 AND 58-400-0

58-401-0



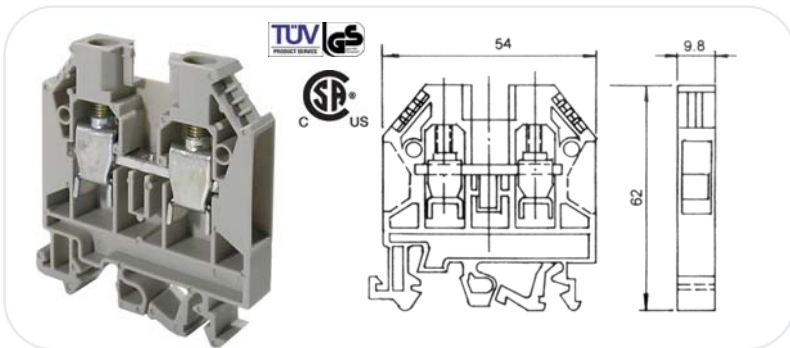
TERMINAL BLOCK 40Amp 600VAC

Suitable for wire sizes 8 to 22 AWG
Pitch: 6mm Size: 6mm²

58-402-0

SIDE COVER FOR 58-402-0

58-403-0



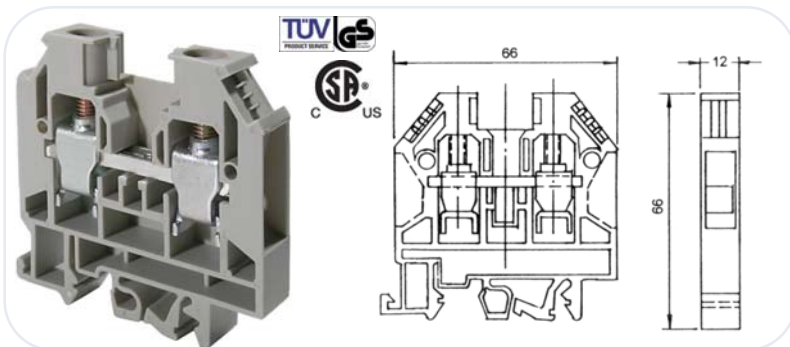
TERMINAL BLOCK 60Amp 600VAC

Suitable for wire sizes 6 to 18 AWG
Pitch: 9.8mm Size: 10mm²

58-404-0

SIDE COVER FOR 58-404-0

58-405-0



TERMINAL BLOCK 75Amp 600VAC

Suitable for wire sizes 6 to 14 AWG
Pitch: 12mm Size: 16mm²

58-406-0

SIDE COVER FOR 58-406-0

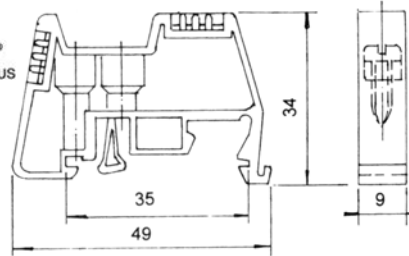
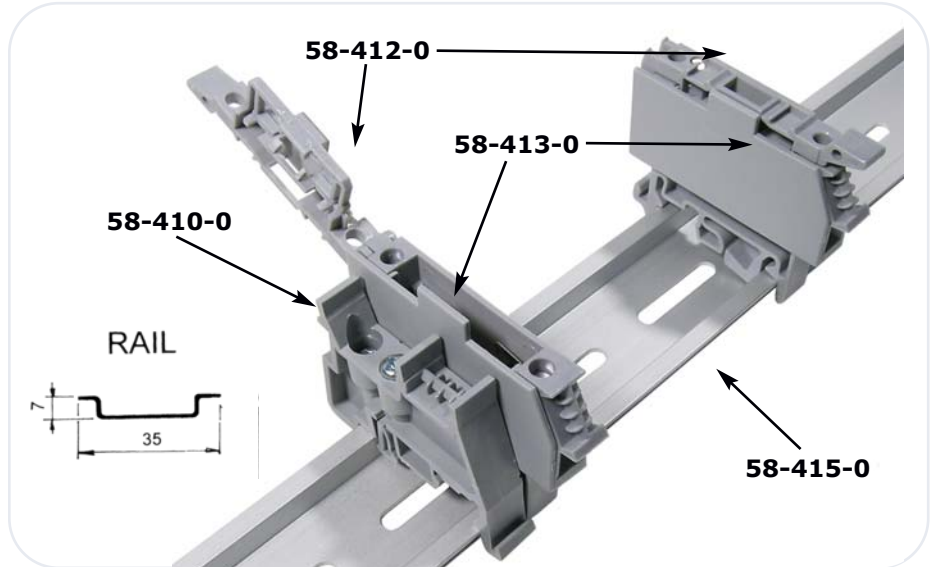
58-407-0

35mm DIN RAIL TERMINAL BLOCKS

ALUMINUM DIN RAIL

35 x 7.5 mm - 1 meter long

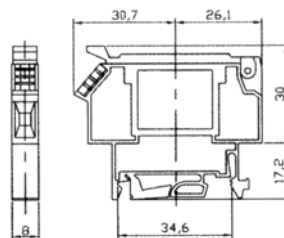
58-415-0



DIN RAIL END STOPPER

Suitable for locking terminals into position on the rail.

58-410-0



FUSE TERMINAL

5 x 20mm fuse - wire sizes
22 to 10 AWG

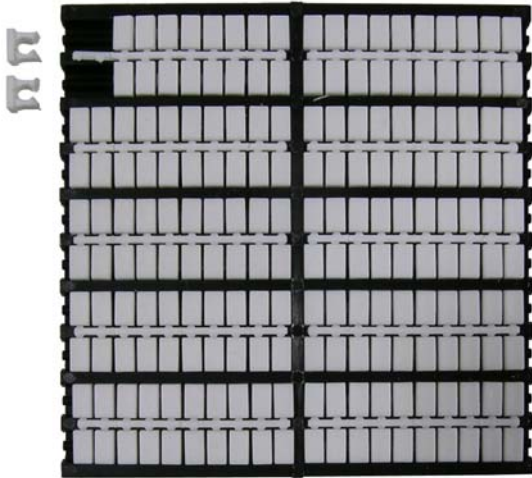
58-412-0

COVER FOR 58-412-0

58-413-0

35mm DIN RAIL TERMINAL BLOCKS

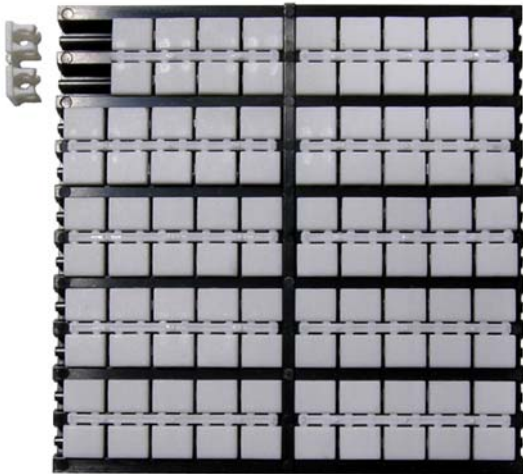
Date:
05-08-13



SINGLE BLANK MARKERS

Single blank markers suitable for the 58-400-0, 58-402-0, 58-425-0 terminal blocks. 200/Tray.

58-426-0



DUAL BLANK MARKERS

Dual blank markers suitable for the 58-400-0, 58-402-0, 58-425-0 terminal blocks. 100/Tray.

58-426D-0