

2/18 LINE CORDS (6' LONG)



2-wire line cord
- 18/2 SPT-1

31-021-0 Bulk

3/18 SVT LINE CORD (6' LONG)



Black jacket 3/18 SVT
6' long with stripped
and tinned leads. 75
degree C cable.

31-031-0 Bulk

EQUIPMENT POWER CORD (6' LONG)



Black jacket 3/18
equipment cord with
plug & socket (socket
mates with 31-045-0)

31-035-0 Bulk

LINE CORDS (R/A PLUG)



Black jacket, 105
degree C cable with
R/A plug and stripped
and tinned leads.

31-031RA-0	SVT	18/3	6'	Bulk
31-032RA-0	SJT	16/3	6'	Bulk
31-033RA-0	SJT	16/3	10'	Bulk
31-034RA-0	SJT	14/3	10'	Bulk


EQUIPMENT POWER CORDS (R/A PLUG)



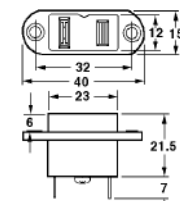
Black jacket, 105
degree C cable with
R/A plug and socket
(socket mates with
31-045-0).

31-035RA-0	SVT	18/3	6'	Bulk
31-036RA-0	SVT	18/3	10'	Bulk
31-037RA-0	SJT	16/3	6'	Bulk
31-038RA-0	SJT	16/3	10'	Bulk
31-039RA-0	SJT	14/3	10'	Bulk

2-WIRE CHASSIS RECEPTACLE




15A/125VAC

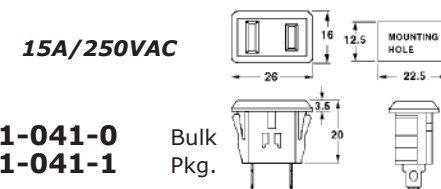


31-040-0 Bulk
31-040-1 Pkg.

2-WIRE SNAP-IN RECEPTACLE




15A/250VAC

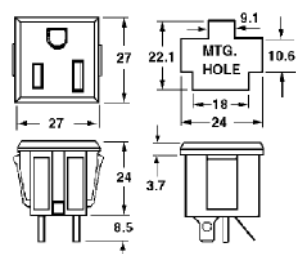


31-041-0 Bulk
31-041-1 Pkg.

3-WIRE CHASSIS RECEPTACLE




15A/250VAC

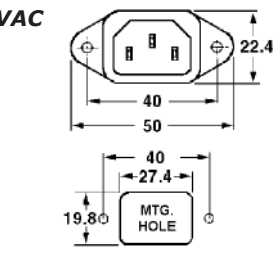


31-043-0 Bulk
31-043-1 Pkg.

3-WIRE CHASSIS RECEPTACLE



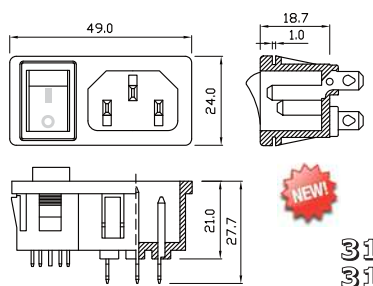
15A/250VAC
50/60Hz



31-045-0 Bulk
31-045-1 Pkg.

AC CHASSIS JACK WITH SWITCH

Current Rating: 250V AC 10Amp

31-047-0 Bulk
31-047-1 Pkg.

AC OUTLET STRIP

Electrical Rating: 125VAC 15Amp



6 outlet power distribution strip with lighted power switch/
breaker and surge suppression. Durable metal case with 6'
cord. Outlets turned 90 degrees for AC adapters.
Attractive Mode display box.

31-062-1 Display Box

AC OUTLET STRIP

6 outlet power distribution strip with lighted power switch / breaker and surge suppression. Durable Plastic case with 6' cord. Outlets turned 90 degrees for AC adapters. Attractive Mode display box.

Elect. Rating: 125VAC 15Amp



31-063-1 Display Box

8 OUTLETS POWER STRIP



- Heavy Duty Metal Construction
- Heavy Duty 6' Power Cord (14AWG x 3C)
- Illuminated On-Off Power Switch with built-in 15 amp Circuit Breaker
- Built-in Cord Organizer
- Surge Indicator LED
- 8 Surge Protected Outlets (3 Wide Spaced)

31-066-1 Display Box

HOME OR OFFICE SURGE ARRESTER WITH PHONE AND COAX PROTECTION



- Heavy Duty 6' Power Cord (14AWG x 3C)
- Telephone and Coax Line Protection
- Illuminated On-Off Power Switch/Circuit Breaker
- Surge Indicator LED
- 8 Surge Protected Outlets (3 Wide Spaced)

31-067-1 Display Box

DC POWER PRODUCTS

FEMALE AUTO POWER JACK



Female inline jack. Accepts 31-085, 31-088, 31-097, 31-089, 31-099, 31-085E.

31-080-0 Bulk
31-080-1 Pkg.

AUTO POWER PLUG c/w LED



Fuseable auto power plug with green LED indicator. Comes with 3A fuse.

31-085-0 10A/12VDC **31-085-1** Pkg.
31-085E-0 10A/12VDC Bulk

AUTO POWER PLUG, FUSEABLE



31-088-0 Bulk
31-088-1 Pkg.

Auto cigarette lighter plug with fuse holder.

STANDARD AUTO PLUG



31-089-0 Bulk
31-089-1 Pkg.

Standard auto cigarette lighter plug.



AUTO PLUG/CORD

2.1mm Plug 8' cord. Has F1A (1Amp - 5x20mm) fuse. Rating: 3 Amps @ 12VDC

31-099-0 Bulk
31-099-1 Pkg.

DC POWER PLUGS



31-101-0 1.3mm I.D.
31-121-0 2.1mm I.D.
31-141-0 2.5mm I.D.

9.5mm barrel length
4 mm cable diameter

Use -2 for Display Pkg.



2.1mm I.D.

14mm barrel length
4 mm cable diameter

31-122-0 Bulk
31-122-1 Pkg.



31-123-0 2.1mm I.D.
31-143-0 2.5mm I.D.
31-161-0 3.0mm I.D.

9.5mm barrel length
4.3mm cable diameter

Use -2 for Display Pkg.



31-124-0 2.1mm I.D.
31-144-0 2.5mm I.D.

14mm barrel length
4.3mm cable diameter

Use -2 for Display Pkg.

DC POWER JACKS



31-132-0 2.1mm
31-152-0 2.5mm
Use -1 for Display Pkg.



Max. 2A @ 16VDC

31-133-0 2.1mm
31-153-0 2.5mm
Use -2 for Display Pkg.



Max. 2A @ 16VDC

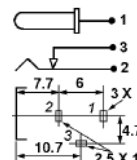
31-134-0 2.1mm
31-154-0 2.5mm
Use -2 for Display Pkg.

13mm chassis mtg. hole.



Compact isolated chassis mount DC power jack. 8mm mounting hole. Max. 2A @ 16VDC.

31-134M-0 2.1mm
31-154M-0 2.5mm
Use -2 for Display Pkg.



Max. 2.5A @ 16VDC

31-155-0 2.1mm
31-156-0 2.5mm
Use -2 for Display Pkg.

PBT Material 220 deg. C