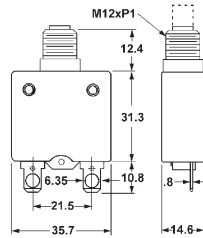


## CIRCUIT BREAKERS



**125VAC  
50VDC**



- |                 |     |                 |     |
|-----------------|-----|-----------------|-----|
| <b>47-503-0</b> | 3A  | <b>47-520-0</b> | 20A |
| <b>47-504-0</b> | 4A  | <b>47-525-0</b> | 25A |
| <b>47-505-0</b> | 5A  | <b>47-530-0</b> | 30A |
| <b>47-515-0</b> | 15A |                 |     |

Use -1 for Display Package



Socket Housing for Auto Relays

c/w 5 terminals

**50-920-0** Auto Relay Socket  
Use -1 for Display Package



Socket for 50-06x and 50-09x shown below. Comes with relay hold down spring cup.

**50-901-0** DPDT PC Mount  
Use -1 for Display Package

## MAGNETIC SWITCHES



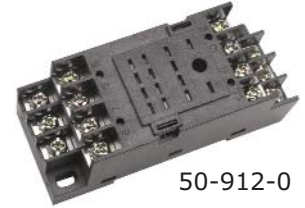
Magnetic reed switch for security alarms. Has normally open and normally closed switch contacts. Screw terminals.  
12VDC@500ma

**47-600-0** Bulk  
**47-600-1** Pkg.

Socket for 50-06x and 50-09x shown below.



50-911-0



50-912-0

**50-911-0** DPDT Screw Term.  
**50-912-0** 4PDT Screw Term.

Use -1 for Display Package

## FOOT SWITCHES



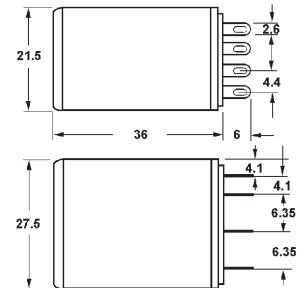
- Cast aluminum base and guard
- 15Amps @250VAC
- 1 N/C and 1 N/O
- Cable gland included

**47-620-0** Bulk

- ABS plastic base
- Cast aluminum guard
- 15Amps@250VAC
- 1 N/C and 1 N/O
- Cable gland included

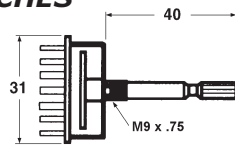
**47-621-0** Bulk

## DPDT & 4PDT 5 AMP RELAYS



Contact Resistance:	50mΩ max.
Operate Time:	25ms max.
Release Time:	25ms max.
Insulation Resistance:	100MΩ min.
Mechanical Life:	10M cycles
Electrical Life:	100K cycles
Resistive Load:	5A@28VDC or 250VAC

## ROTARY SWITCHES



.3 A @ 30VDC non-shorting. Knurled shaft with split.

- |                 |        |             |
|-----------------|--------|-------------|
| <b>48-511-0</b> | 1 pole | 12 position |
| <b>48-512-0</b> | 2 pole | 6 position  |
| <b>48-513-0</b> | 3 pole | 4 position  |
| <b>48-514-0</b> | 4 pole | 3 position  |

Use -1 for Display Package

## RELAYS

### AUTOMOTIVE RELAYS

Coil Resistance: 80 Ω ± 10%

**50-836H-0** SPDT 12VDC  
Use -1 for Display Package

Coil Resistance: 360 Ω ± 10%

**50-837H-0** SPDT 24VDC

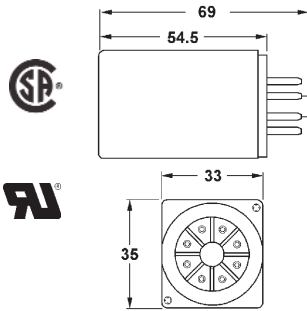


Part Number	Circuitry	Oper. Volt.	Coil Res.
<b>50-061-0</b>	DPDT	6VDC	40 Ω
<b>50-063-0</b>	DPDT	12VDC	160 Ω
<b>50-064-0</b>	DPDT	24VDC	650 Ω
<b>50-068-0</b>	DPDT	48VDC	2600 Ω
<b>50-091-0</b>	4PDT	6VDC	40 Ω
<b>50-093-0</b>	4PDT	12VDC	160 Ω
<b>50-094-0</b>	4PDT	24VDC	650 Ω
<b>50-095M-0</b>	4PDT	24VAC	160 Ω
<b>50-098-0</b>	4PDT	48VDC	2600 Ω
<b>50-099-0</b>	4PDT	120VAC	3400 Ω

M Series have manual test button.

Use -1 for Display Package

**10 AMP OCTAL BASE RELAYS**



Contact Resistance: 50mΩ max.  
Operate Time: 20ms max.  
Release Time: 20ms max.  
Insulation Resistance: 100MΩ min.  
Mechanical Life: 10M cycles  
Electrical Life: 100K cycles  
Resistive Load: 10A@28VDC or 120VAC

M Series have manual test button.

Part Number	Circuitry	Oper. Volt.	Coil Res.
<b>50-133-0</b>	SPDT	12VDC	120 Ω
<b>50-134-0</b>	SPDT	24VDC	472 Ω
<b>50-139-0</b>	SPDT	120VAC	2250 Ω
<b>50-163-0</b>	DPDT	12VDC	120 Ω
<b>50-164-0</b>	DPDT	24VDC	472 Ω
<b>50-169-0</b>	DPDT	120VAC	2250 Ω

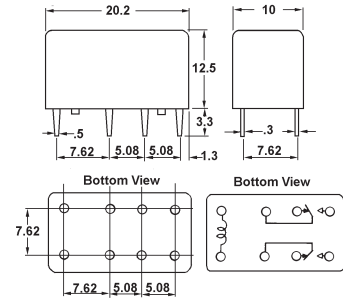
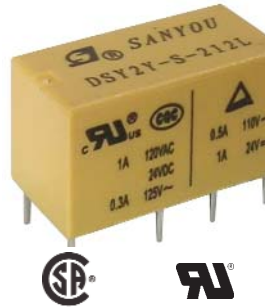
Use -1 for Display Package



Octal Socket for 50-13x and 50-16x shown above.

**50-910-0** Octal Socket  
Use -1 for Display Package

**1 AMP PC RELAYS (16-PIN DIP)**

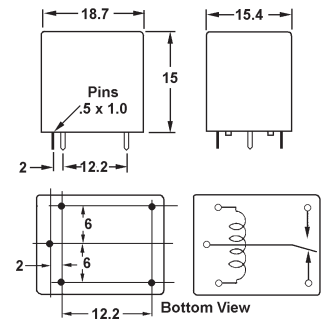


Contact Resistance: 50mΩ max.  
Operate Time: 10ms max.  
Release Time: 4ms max.  
Insulation Resistance: 100MΩ min.  
Mechanical Life: 100M cycles  
Electrical Life: 100K cycles  
Resistive Load: 1A@30VDC or .3A@125VAC

Part Number	Circuitry	Oper. Volt.	Coil Res.
<b>50-430-0</b>	2C	5VDC	125 Ω
<b>50-433-0</b>	2C	12VDC	720 Ω
<b>50-434-0</b>	2C	24VDC	2880 Ω
<b>50-435-0</b>	2C	48VDC	4600 Ω

Use -1 for Display Package

**10 AMP PC RELAYS**

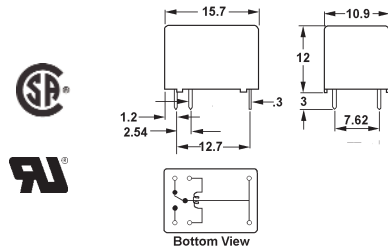


Contact Resistance: 100mΩ max.  
Operate Time: 8ms max.  
Release Time: 5ms max.  
Insulation Resistance: 100MΩ min.  
Mechanical Life: 10M cycles  
Electrical Life: 100K cycles  
Resistive Load: 10A@28VDC or 10A@125VAC  
Inductive Load: 3A@28VDC or 3A@125VAC

Part Number	Circuitry	Oper. Volt.	Coil Res.
<b>50-530-0</b>	SPDT	5VDC	70 Ω
<b>50-533-0</b>	SPDT	12VDC	400 Ω
<b>50-534-0</b>	SPDT	24VDC	1600 Ω
<b>50-535-0</b>	SPDT	48VDC	6400 Ω

Use -1 for Display Package

**3 AMP PC RELAYS**



Contact Resistance: 100mΩ max.  
Operate Time: 10ms max.  
Release Time: 5ms max.  
Insulation Resistance: 100MΩ min.  
Mechanical Life: 10M cycles  
Electrical Life: 500K cycles  
Resistive Load: 3A@28VDC or 120VAC

Part Number	Circuitry	Oper. Volt.	Coil Res.
<b>50-330-0</b>	SPDT	5VDC	120 Ω
<b>50-331-0</b>	SPDT	6VDC	180 Ω
<b>50-333-0</b>	SPDT	12VDC	700 Ω

Use -1 for Display Package

Visit our Web Site at  
<http://www.mode-elec.com>